

# FIDO'S<sup>®</sup>

## DELUXE HYDROBATH

### Twin Tank Model



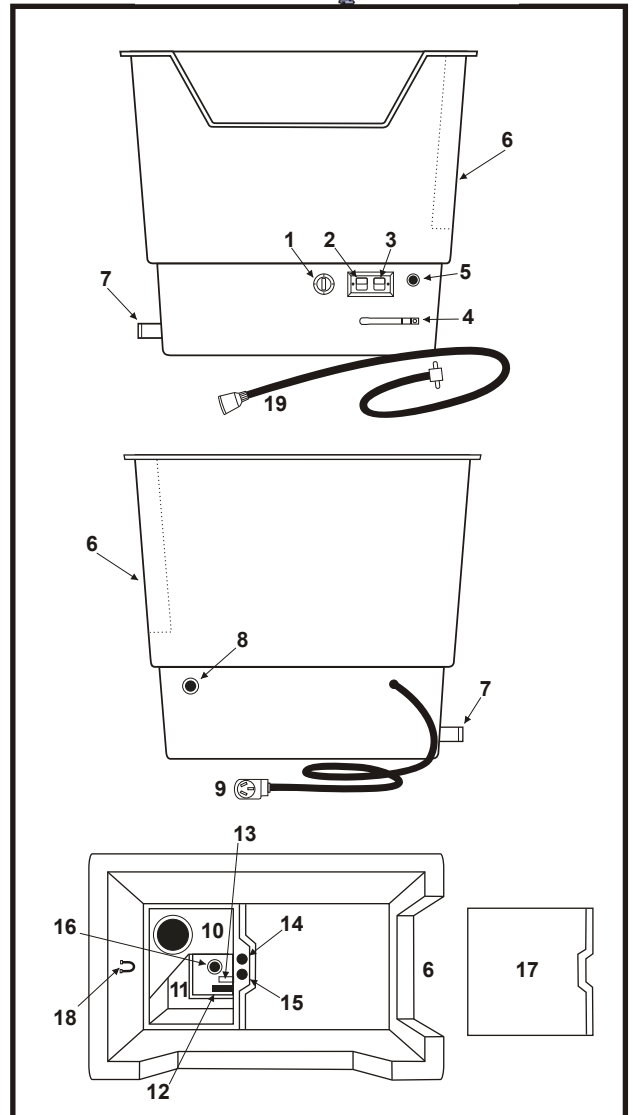
#### Key to Deluxe Hydrobath components

*Congratulations on the purchase of your new Fido's Deluxe Hydrobath. We hope this instruction sheet and product listing will help provide you with many years of trouble free operation.*

*Fido's Hydrobaths are equipped with a 3/4HP Davey centrifugal pump delivering through the shower rose 20L/min at 150KPA pressure. They have a "Rilsan" pump housing which is resistant to most chemicals and give years of trouble free operation.*

**NB: NO FIDO'S PRODUCTS HAVE HARSH CHEMICALS, THEY ARE ALL WATER BASED.**

1. Thermostat controls the temperature, to which the water in the tank is heated.
2. Heater switch, switches the heater on and off.
3. Pump switch, switches the pump on and off.
4. Ball valve lever for selecting water from either enclosed tank (to the right horizontal only) or open tank (to the left horizontal only). Never leave in the centre (upright) position.
5. Shower hose/rose connection point.
6. Entry door.
7. Waste outlet.
8. Autofill hose connection for connecting to reticulated water supply.
9. 240V electrical cord with 3 pin plug and "Lifesaver" safety switch.
10. Enclosed tank for supplying/heating fresh water. Contains a heating element (Warranty for 6 Months only), float valve and essential low water cut-out switch. Holds 17 litres for supply to open tank or for rinsing direct to waste.
11. Open tank for washing. Filled from enclosed tank. Holds 17 litres. Always fill at least above the nylon bag filter. Washing involves recycling to and from the open tank.
12. Metal filter on open tank pump inlet side, to protect pump.
13. Nylon bag filter to pick up finer residue from hydrobathed dog as recycling takes place.
14. Bypass-to-waste drain hole.
15. Recycle-to-open-tank drain hole.
16. To waste drain hole.
17. Lid for covering tank whilst hydrobathing.
18. Tie point (Accessory item).
19. The shower hose/rose, the real key to superior washing.



Model No.: \_\_\_\_\_

Serial No.: \_\_\_\_\_

Date Purchased: \_\_\_\_\_

Added Extra's:

1. \_\_\_\_\_
2. \_\_\_\_\_
4. \_\_\_\_\_
5. \_\_\_\_\_



We Do Care

Customer Service  
 Shirley McCormack Phone 07 3808 1399  
 National Sales Manager  
 Martin Davis Ph 0403 577 417

See us on the web  
[www.fidos.com](http://www.fidos.com)

## INSTRUCTIONS FOR USING FIDO'S DELUXE HYDROBATH

- A.** Position the hydrobath on a level surface. Remove lid **17**.
- B.** Connect a reticulated water hose to **8**, turn the tap on and Enclosed tank **10** will start to fill to a predetermined level set by the float valve inside the Enclosed tank.
- C.** Connect the shower hose/rose **19** to point **5**.
- D.** Make sure the drain plug **14** is in place, the filter bag is on outlet **13** and the drain plug **16** in the Open tank **11** is in place.
- E.** Plug in **9** to a 240V approved electric power outlet .
- F.** Set the thermostat control **1** at the desired temperature .
- G.** Turn on the heating switch **2**.
- H.** Put Fido's Rinse Concentrate into Open tank **11**.
- I.** Turn the ball valve lever **4** to the right horizontal only (Enclosed tank position).
- J.** Take the shower hose/rose **19** in hand and turn the pump switch **3** on. Water will now be pumped from the Enclosed tank **10**. Fill the Open tank **11** to within a few centimeters of the top. Turn off the pump switch **3**. Check the temperature by feeling the water.
- K.** Move the ball valve lever **4** to the left horizontal only (Open tank position). At this stage the Enclosed tank **10** will commence to refill and reheat the water. Put the lid **17** back on top of the tanks and if appropriate attach the dog to the tie point **18**.
- L.** To wash the dog turn on the pump switch **3** and move the rose through the coat to remove the accumulated dirt, fleas and excess sebum.
- M.** You may now wish to drain the dirty water from the Open tank. To do this open drain hole **14**, close the drain hole **15** and pump the water from the Open tank to waste.
- N.** To rinse the dog in clean water, turn the ball valve lever **4** to the right horizontal only (Enclosed tank position), close and open the drain holes in reverse of the above and switch on the pump until the Open tank is full. Shift the ball valve lever to the left horizontal only (Open tank position). Wash the coat with the clean water from the Open tank as required.
- O.** Drain the Open tank **11** as in 'M' above.
- P.** On completion of the hydrobathing, switch off both the pump switch **3** and the heater switch **2**, the electric power, move the ball valve lever **4** to the right horizontal only (Enclosed tank position) and disconnect the reticulated water at **8**. **Never run the pump dry.**
- Q.** At the end of the day fill the Open tank with water, add Fido's Hydrobath Flush disinfectant and run the pump for 15 seconds. This cleans and sanitises the tank, the pump, the drain lines and the shower rose. Clean the hair and other debris from the nylon bag filter and replace when necessary. Drain the tanks after completion. Wipe over with a damp cloth or clean with a liquid washing-up detergent only. Scratches can be rubbed out with Brasso.

## PRODUCTS AVAILABLE FOR YOUR HYDROBATH

### RINSES

These are "leave in" products which can be used subsequent to shampooing for their flea and tick control/conditioning properties, or on their own as an alternative to the shampooing process.

#### Flea and Tick control

##### FIDO'S FRE ITCH RINSE CONCENTRATE

Our top selling product. A pleasant smelling product of proven effectiveness against ticks and fleas. Based on the natural insecticide, pyrethrin. Safe to use in combination with long term flea control products. Safe for use in dogs and cats of all ages.



##### FIDO'S PERMETHRIN RINSE CONCENTRATE

Controls fleas, ticks and flies in dogs and horses. Based on the man-made insecticide, permethrin.



#### Non-Insecticidal

##### FIDO'S HERBAL RINSE CONCENTRATE

A leave in conditioner with a pleasant perfume which lasts for days on the coat.

### SHAMPOOS

#### Flea and Tick Control

##### FIDO'S FRE ITCH FLEA SHAMPOO

A carbaryl based shampoo for flea and tick control in dogs and cats. Use weekly. Available in 250mL, 500mL & 5Litre.

##### FIDO'S FRE ITCH PYRETHRIN SHAMPOO

A soap free shampoo containing the natural insecticide pyrethrin. Safe for use with long term flea control treatments. Available in 250mL, 500mL & 5Litre.



#### Non-Insecticidal

##### FIDO'S EVERYDAY SHAMPOO

A mild soap free, hypoallergenic shampoo. Can use as often as desired without stripping the coat of its natural oils.

##### FIDO'S HERBAL SHAMPOO

A mild, soap free shampoo containing a selection of herbs and oils to clean and condition the coat.



##### FIDO'S ALOE VERA SHAMPOO

A soap free moisturising shampoo containing 10g/L of aloe vera gel. Especially suitable for sensitive skins.

##### FIDO'S PUPPY AND KITTEN SHAMPOO

A cleaning and conditioning shampoo especially formulated for puppies and kittens.

## TROUBLESHOOTING

Problems are rare and can usually be solved easily. We love to help, but have a read of this first.

PROBLEM	SOLUTION
The pump is switched on, but the water pressure is low or non-existent.	A common cause is an air-lock because the pump may have been pumped dry or the hydrobath may not have been on a level surface. Fill the tank with water, lay the hose on the ground and allow the water to begin to drain out the shower rose. Direct the shower rose into the bath and at the same time quickly switch on the pump. Repeat if necessary.
During the bathing process the tank becomes empty.	Check that the plug(s) in the bottom of the tank and/or the bypass-to-waste drain hole is/are secure and no water is going to waste. Position the plug(s) correctly. When working with long-coated large dogs and a partially filled tank not enough water may be being returned to the tank. Add more water.
The heating element is not working some or all of the time	The heating element and or the thermostat may be burned out. This can be checked by a certified electrician. There is not enough water in the tank or the hydrobath is not level and the low-water cut-out switch is operating. Bring the water up to cover the element completely including whilst the pump is in operation.
There are too many suds.	Too much rinse or shampoo has been added. Use all Fido's products at about 1 in 1000 dilution, which is 1mL per litre. The hydrobath cleans with a combination of rinse/shampoo and vigorous action of the water so less of the product is needed.
A bad odour is experienced when the hydrobath is turned on at the beginning of the day.	The hydrobath was not cleaned out the last time it was used. Disinfect with Fido's Hydrobath Flush as described in the Instructions For Use section.